

512 CSS DMX Controller

LED Full Color Controller / EC-DMX200A(Primary CSS-512)



General Description:

512 CSS DMX Controller is a full-color LED control system, it comprise scene-edit software and LED controller. It is very suitable for architecture decoration, PUB or stage decoration. With scene-edit software, designer can design the lighting effect conveniently and speedy, then load the effect to controller, the lights will change as in the software. This control system can fulfill 256 grey levels for each R,G,B color, totally 16.77 million, real full-color.

Key Features:

- :: Meets DMX512(1990)
- :: Friendly interface between man and machine
- :: 256 levels of grey, totally 16.77 million colors, really full color
- :: Can update the varied changing effects instantly
- :: Abundant changing mode
- :: Support multizone display
- :: Support the edit and browse of the picture (*.bmp)
- :: Good performance on expansibility, compatibility and stretch.
- :: Convenient for wiring and installation
- :: Good function at anti-jamming and auto-resumption.

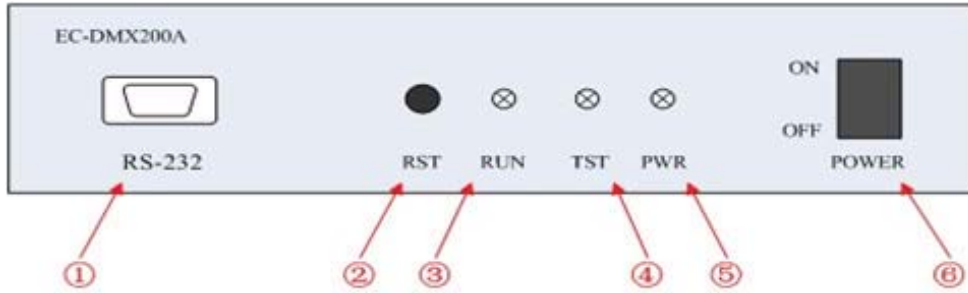
Specification:

- :: Input Voltage: 85~264Vac.
- :: Power Consumption < 25W.
- :: Memory: 64KB.
- :: Output channel: 1 port.
- :: Transmission interface: DMX512.
- :: Transmission speed: 250Kbps.
- :: Pixels: 1~127 pixels.
- :: Lamp type can be controlled: Wall washing light, Tube light,
- :: Cube light, Underground.
- :: Control mode: Asynchronous full-color control.
- :: Description: Flash, fade, and picture, Character, video.
- :: Size: 9.5"x7.5"x2.75 inches.

512 CSS DMX Controller

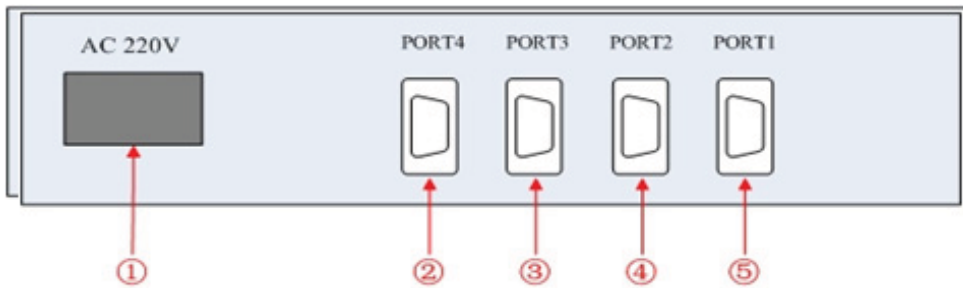
LED Full Color Controller / EC-DMX200A(Primary CSS-512)

Front Panel Instruction:



- 1: Console interface
- 2: Reset Button
- 3: Running indicator light
- 4: Download indicator light
- 5: Power indicator light
- 6: Power switch

Back Panel Instruction:

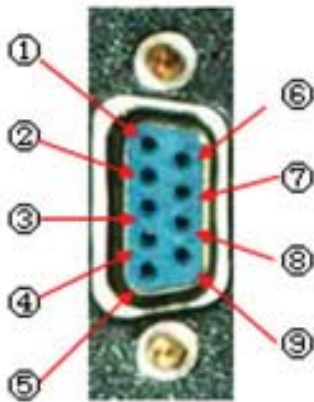


- 1: AC85-264V input interface*
- 2: - 5: Interface for signal out.
(*Only the port 1 is available for EC-DMX 200A)



Input power supply is high voltage, please operate in criterion
WARNING do not operate the console interface and output interface
 when power is on!

The connection of the load loop



Pin configuration:

- 1: GND
- 2: D+
- 3: D-
- 4: NC
- 5: NC
- 6: NC
- 7: NC
- 8: NC
- 9: NC

Output interface is a female DB9 interface, so the back-end devices (driver or repeater) should take male DB9 as interface.

512 CSS DMX Controller

LED Full Color Controller / EC-DMX200A(Primary CSS-512)

Operation Instructions:

1: Open the carton and check to find the following materials...

- 1X EC-DMX 200A controller
- 1X Product Specification
- 1X USB-RS232 connecting wire
- 1X 3-core wire for power supply
- A disk of software

Panel operation Instructions:

1.Operation of power supply interface
The power supply of this equipment is AC85-264V, use normal 3-core wire, include one earthing wire.



Note:

Please connect the earthing wire without failure to prevent any accident or damage to the equipment.

2.Operation of console interface

The console interface is used to download the updated program, or some settings.

Usage:

2A: Connect the RS232 port of the USB-RS232 connecting wire to the port of the controller(make sure that the power is off), another port connect to the USB port of the PC.

After the driver of the wire is installed, please check MY COMPUTER->PROPERTY->HARDWARE->

DEVICE MANAGER->COM & LPT, a "USB Serial Port(COM?)", "COM?" is a port number PC assign to the wire, it may be distinguishing in different PC, please mark down this value.

2B: Open the software, select the port number and link to controller. If not work, please check the connection and try again.

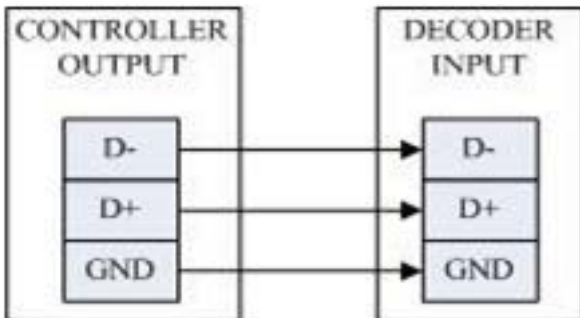
2C: Operate in the software.

2D: Close the software, remove the USB port, then turn off the power of the controller and remove the connecting wire

512 CSS DMX Controller

LED Full Color Controller / EC-DMX200A(Primary CSS-512)

Panel operation Instructions:



(take dmx decoder for example)

3.Operation for output port

This controller can compatible with DMX512(1990) equipment produced by different manufactures. Pay attention to the wiring: Make sure the power of the controller is off, then connect the input port of the back panel(DB9 male port) to the appointed output port, Make sure every pin of input and output is corresponding, see image to left:

4.Instruction for the indicator light

Indicator light for power on-off

If not light, please check:

4A: The connection of power wire is correct or not.

4B: The switch of the power is on or not.

If there is no problem with above mentioned, please contact us for support.

Running indicator light: When you use controller to operate the lamp, this indicator should be light .

If the light is not on, please check:

- The power works well or not.
- Is it on the running mode or not.

If there is no problem with above mentioned, please contact us for support.

Download indicator light: When downloading the program, this indicator light should be sparkling.

Otherwise it will be dark.

If not light, please check:

- The power works well or not.
- Is it downloading at that moment or not.

If there is no problem with above mentioned, please contact us for support.

If not on the process of downloading, but the light is on, please try to do the following operation:

- Turn off the power, then turn on again.
- Use the software to reset the controller.

If the problem still can not be solved after the above operations, please contact us for support.

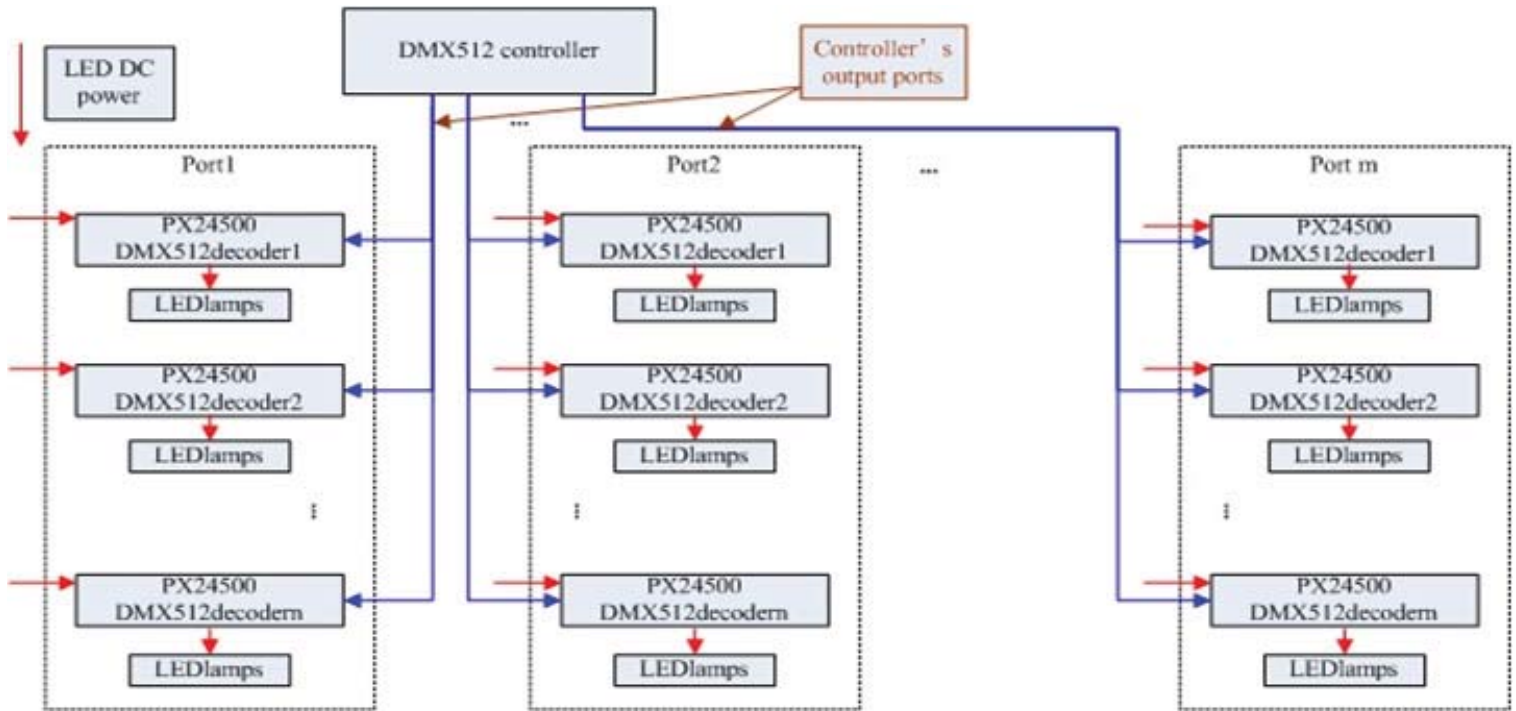
5.Operation for reset button.

If you want to reset the controller or the controller is stopped by disturbance, you can press the reset button to restart it.

512 CSS DMX Controller

LED Full Color Controller / EC-DMX200A(Primary CSS-512)

Appendix: EC-DMX series connection diagram.



Notes:
1.m is the amount of controller output port
2.n is the max. amount of terminals for each port
The upwards is according to controller

Please read the specification of the PX24500 - DMX Decoder for the detailed solution of the system connection.