

CF CARD CONTROLLER



CF Card Reader



Data Driver

General Description:

Our combination hardware/software package is the piece required that allows the format of words, flash, video, picture, etc. to be transferred to the document (*.DAT) format, and can be displayed on LED modules.

CF Card video control system is our company's newest developed offline control platform to control LED lights. This system is built-in the most advanced logic element, digital signal processor and the large capacity memory card to store the control program. CF Card's capacity range from 16M to 4G. Using the CF Card there is no need to directly connect to a PC.

Specification:

Max resolution: 256×256

Control Qty of Video Controller: 65536 pixels

Control Qty of Data Divider: 2048 pixels

Color range: 256 scales color depth/16,770,000colors

Transmission method: Ethernet communication

Max transmission: 120m (no repeater)

Storage media: CF Memory Card (repeat use)

Max storage: 4G

FPS: 30fp/sec

Display: Animations, videos etc

READ THROUGH THIS MANUAL CAREFULLY BEFORE USE. MAKE SURE YOU HAVE COMPLETELY UNDERSTOOD THE INSTRUCTIONS SO AS TO AVOID POSSIBLE DAMAGES & EXTRA EXPENSE.

CF CARD CONTROLLER

Safety Warnings

In order to ensure a perfect quality of the product and a safe usage, follow the instructions in this manual.



Warning! Risk of electric shock by touching the wiring. This product is under dangerous voltage!

1. Please don't install this controller in lightening, intense magnetic and high-voltage fields.
2. The controller for indoor use only, make sure to put it in a waterproof housing for outdoor use.
3. Make sure correct connection to avoid fire and damages caused by short circuit.
4. Please check if local voltage and power adapter meet the controller requirements, and if power anode or cathode definition is the same as controller.
5. Choose an install place where can withstand 10 times the weight of the product to ensure a solid installation
6. Do not operate with power on, power on after you have verified the correct connection and no short circuit!
7. Please don't repair without permission if problem occurs.

If you have any questions, please contact your supplier. This manual applies to this model product only, for update information, please contact supplier.

Warranty Notice:

Warranty does not cover the following and the customer will be required to pay for repair charge. Even for defects occurring within the one year period.

1. Any defect that occurs due to mishandling such as an operation performed not permitted in the operating instructions.
2. Any defect that occurs due to privately dismantling, repairing, incorrect modification of the circuitry, improper jointing and disassembling the chip on the base.
3. Any defect or damage that occurs due to transport, a fall, shock, etc. After purchase of the product.
4. Any defect or damage that occurs due to fire, earthquake, flood damage, thunderbolt, environmental pollution and irregular voltages.
5. Any defect or damage that occurs due to carelessness or improper storage such as keeping the products in high temperature or humidity area, near harmful drugs etc. Improper maintenance.
6. Regenerative products of products.

CF CARD CONTROLLER

System Configuration:



CFVideo
Shortcut
1 KB

1. Dat file generating software
2. CF card video controller
3. Data divider controller
4. CF card
5. CF card reader
6. Lighting products



Back View

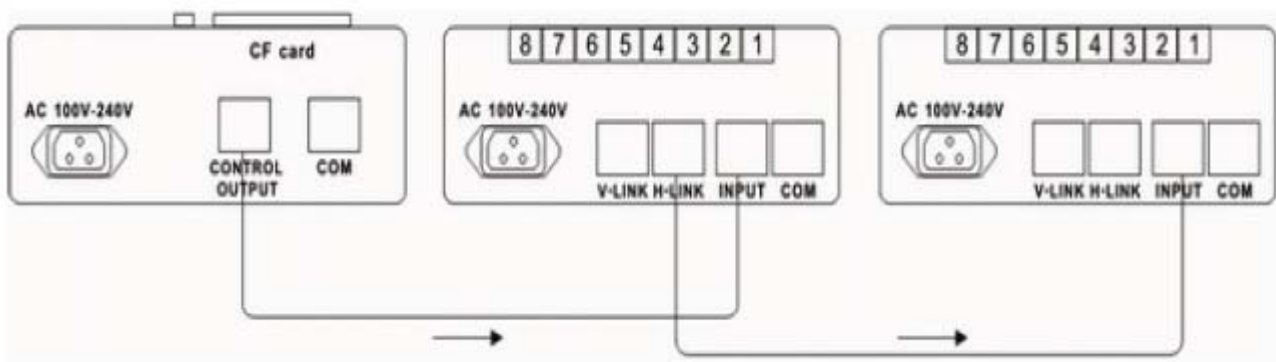
CF Controller & Data Divider



Front View

Output Signal to LED lights

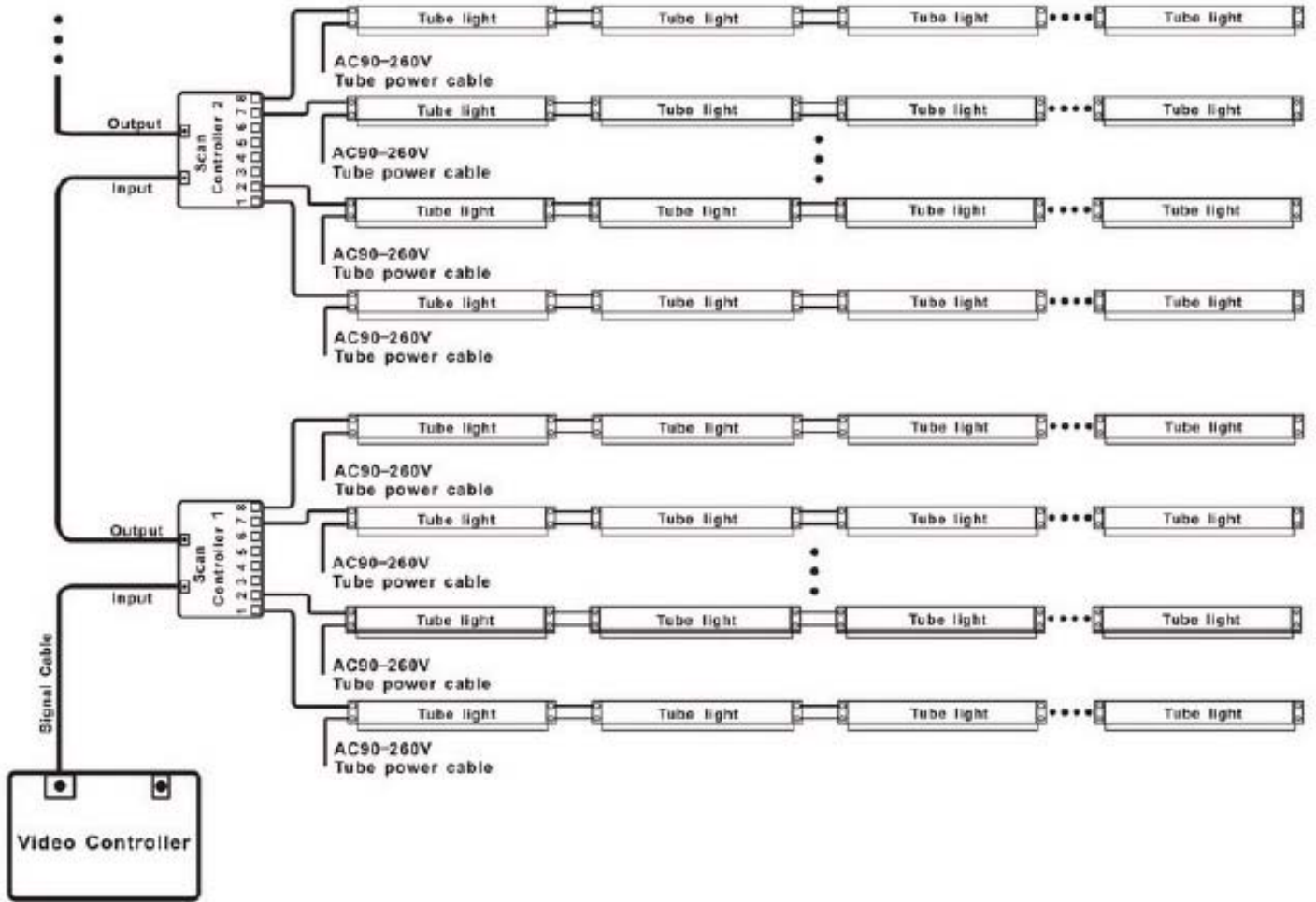
1. Plug the programmed CF card into the CF video controller and connect its control export to the import of the data divider through an UTP-5 wire.



Must be connected from the video controller's control export, the Multi-level connection method of vertical or horizontal depends on the specific plan.

CF CARD CONTROLLER

Conjunction Method Example For LED Tube Screen:



CF CARD CONTROLLER

Installation:

1. First, arrange the LED lights on the base one by one. The installation turns depends on the design, different projects require different conjunction method. Connect them according to the conjunction diagram provided by on previous page.
2. Plug the CF card (with .DAT design files inside) into the CF Card Video Controller. Connect the Video Controller with the Data Divider through connection cables.
3. Arrange Switching Power Supply for every controller. Make sure all the equipment is working normally.
4. Check out the connection power cable and signal cable of LED lights. Make sure if there is no circuit short or other troubles. If there is no controller connected but with electrical power supply, LED lights will flash randomly.
5. If everything is OK, connect the CF Video Controller (Master Controller) to the Data Divider Controller with the signal input socket of all LED lights. Power on and determine if the lighting effect is playing right.

Debugging Examples:

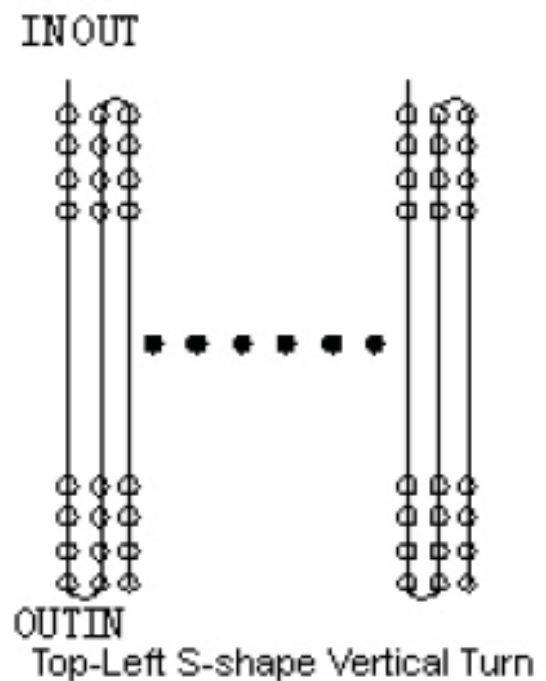
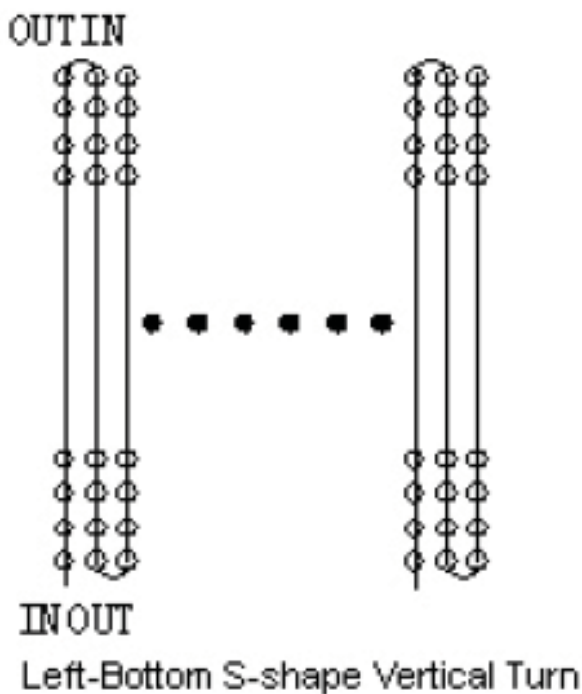
1. **Phenomena:** The design effect couldn't display normally in somewhere.
Solution: Check the light groups, find out the abnormal light, see if the signal connection cable was damaged or lapse; change the light or the light next to it, so as to make sure the effect to be normal.
2. **Phenomena:** Data Divider's certain output channel couldn't display normally.
Solution: Check if the signal output cable of this channel is well connected, if it still doesn't work, change a new piece of signal cable, if the problem keeps the same as before, probably it's the Data Divider's problem, need to change a new Data Divider Controller (Slave Controller).
3. **Phenomena:** No light or abnormal.
Solution:
 - 1). Check if the CF card is well plugged or if there's design effect file in the CF card.
 - 2). Check the power socket between the master controller and the slave controller, to see if it's power on.
 - 3). Check the connection port of the master controller & the slave controller, to see if it's correct connection or if the connection cable was damaged or lapse, change a new cable to try.
 - 4). The capacity of CF card is incorrect.
 - 5). The method of formatting CF card is incorrect.
 - 6). The dat file was incorrectly put in before completely formatting the CF card.
 - 7). The display file was not generated via our compatible convert software, the format is not compatible with our products.

CF CARD CONTROLLER

LED Lights Installation Method:

There are multiple methods of installation to meet different requirements for different applications, such as S-shape & Z-shape vertical & horizontal turn connections. As for the special irregular LED screen, you can select specific mapping file solution for irregular screen as follows.

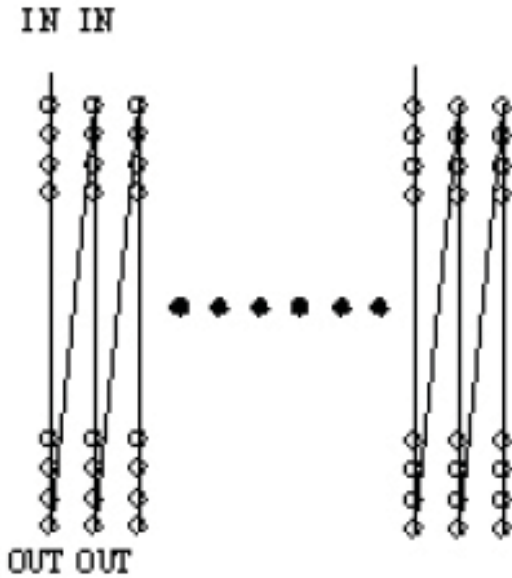
1. Vertical S-shape Turn:



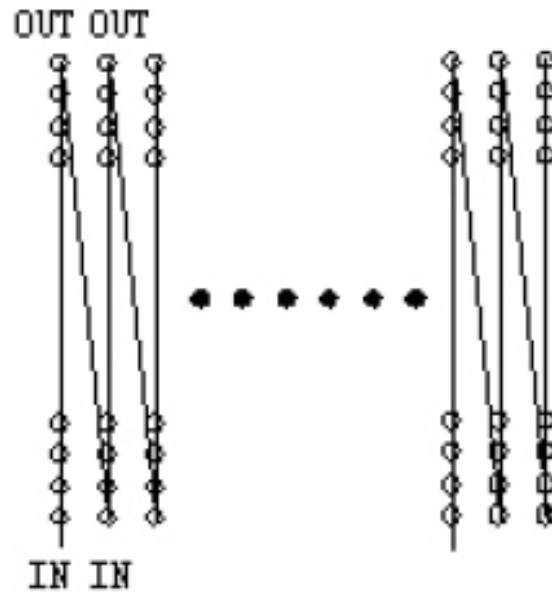
CF CARD CONTROLLER

LED Lights Installation Method:

2: Vertical Z-shape Turn

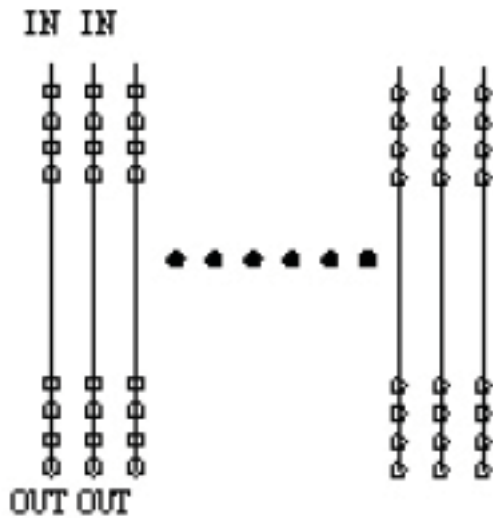


Top-left Z-shape Vertical Turn

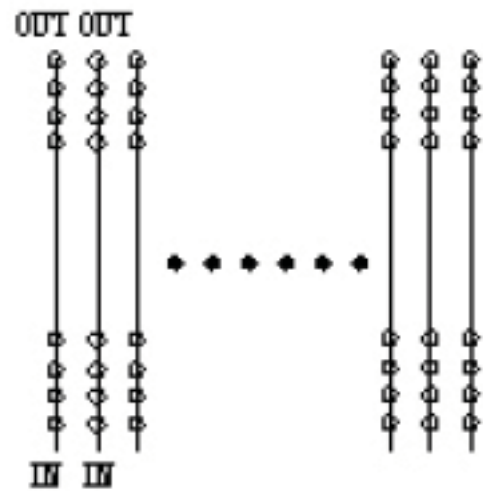


Left-Bottom Z-shape Vertical Turn

3: Common Vertical Turn



Top-Bottom Common Vertical Turn

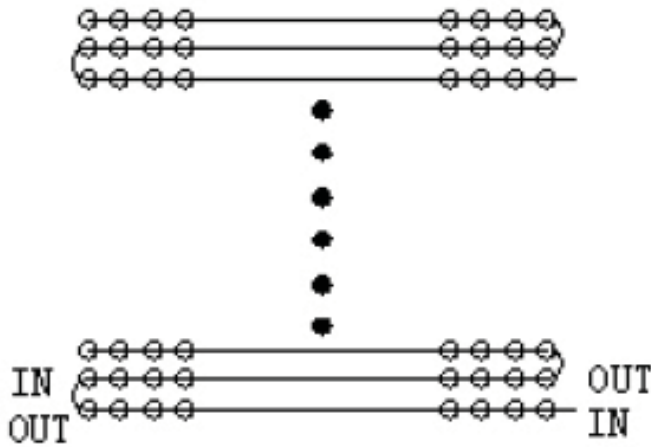


Bottom-Top Common Vertical Turn

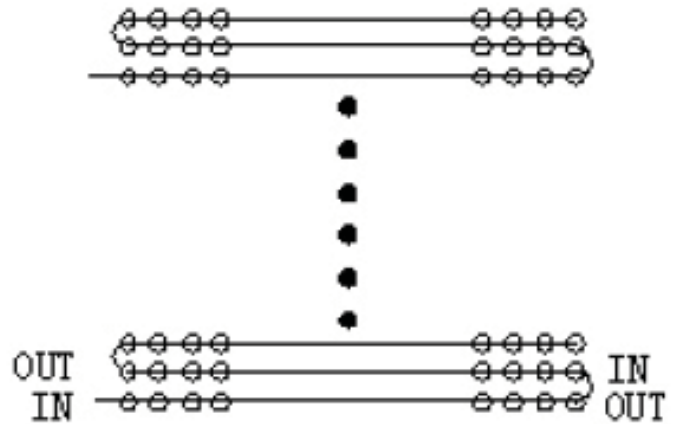
CF CARD CONTROLLER

LED Lights Installation Method:

4: Horizontal S-Shape Turn:

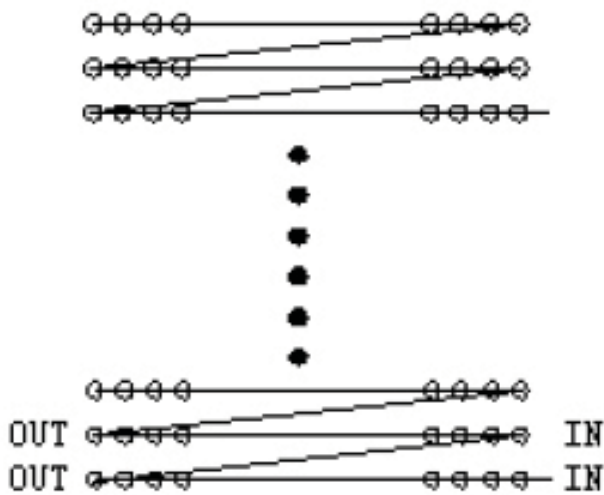


Right-Bottom S-shape Horizontal Turn

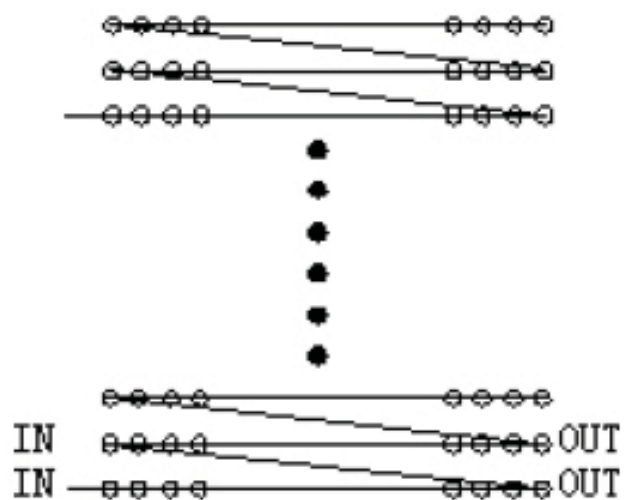


Left-Bottom S-shape Horizontal Turn

5: Horizontal Z-Shape Turn:



Right-Bottom Z-shape Horizontal Turn

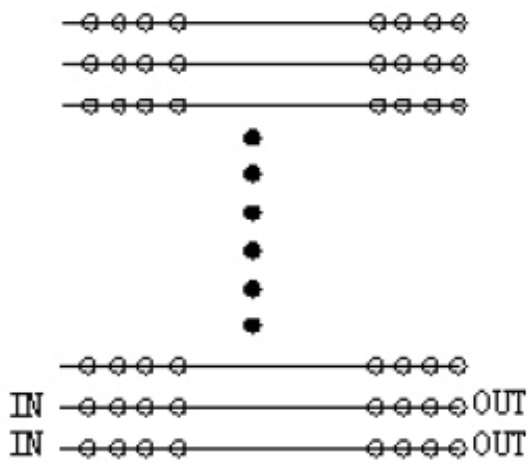


Left-Bottom Z-shape horizontal Turn

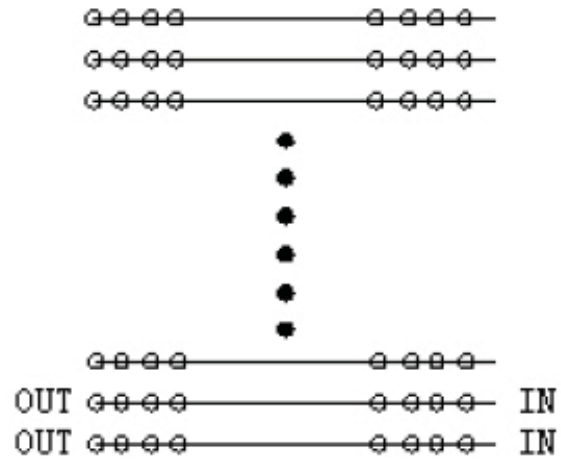
CF CARD CONTROLLER

LED Lights Installation Method:

6: Horizontal Common Turn:



Left-Right Common Horizontal Turn



Right-Left Common Horizontal Turn

CF CARD CONTROLLER

Instructions on Creating the Design Display File (.DAT)



CFVideo
Shortcut
1 KB

1. CF Video V1.0 software supports AVI file to DAT file conversion. Using an additional software such as Adobe Flash or Ulead VideoStudio is required to create a video Effect. **(Make sure the pixel size of the Video Effect is the same as that of the actual LED light screen)** Convert video effect to an AVI file. The AVI File to DAT file via CF Video V1.0 software.

2. When converting flash files into AVI, It is recommended NOT to use FLASH software directly to AVI. A better quality video would be produced using a professional software to convert flash, mpeg etc to avi file such as Ulead VideoStudio. Choose high quality without compressed file and the final effect depends on the design skills.



CF Video V1.0 software does NOT create video effects. Using an additional software such as Adobe Flash or Ulead VideoStudio is required to create a video effect.

3. Tool & Software required:

- (1) flash (generate swf file)
- (2) Ulead VideoStudio (swf file to avi file)
- (3) CF Video (avi file to dat file)

Whole process: swf- to - avi - to -dat,

Then save the .DAT file in CF card. Load the CF card in the CF card Controller and display on screen.