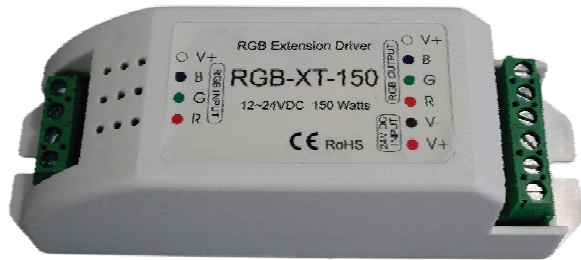


ColorFlex Coupler

RGB Extension Driver



RGB-XT-150

A 3-channel high-power LED extension driver for 5V~24V RGB devices. It is compatible with PWM controllers.

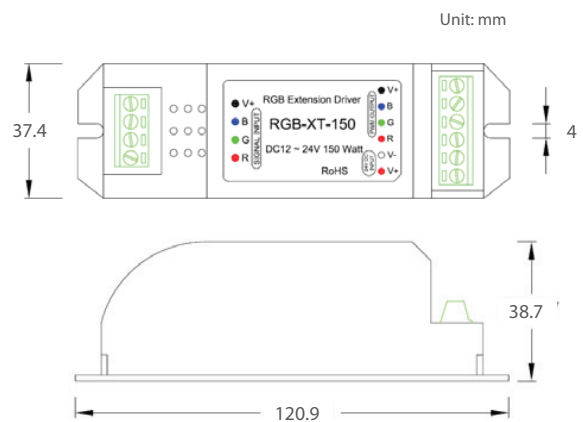
Features

- 3-channel RGB output (5A/CH x 3)
- Compatible with PWM control.
- Unlimited number of RGB-XT-150 extension drivers can be cascaded.
- Maximum distance between two drivers: 100 meters

SPECIFICATIONS

Parameters	RGB-XT-150
Channels	3 Channels
Input Voltage	5Vdc ~ 24Vdc
Maximum Load Current	5A/CH x 3; Total: 15A
Maximum Output Current	75W (5V); 180W (12V); 360W (24V)
Operating Temperature	-30° C ~ 55° C
Dimensions	(L) 121 x (W) 39 x (H) 39 mm
Weight	100 g

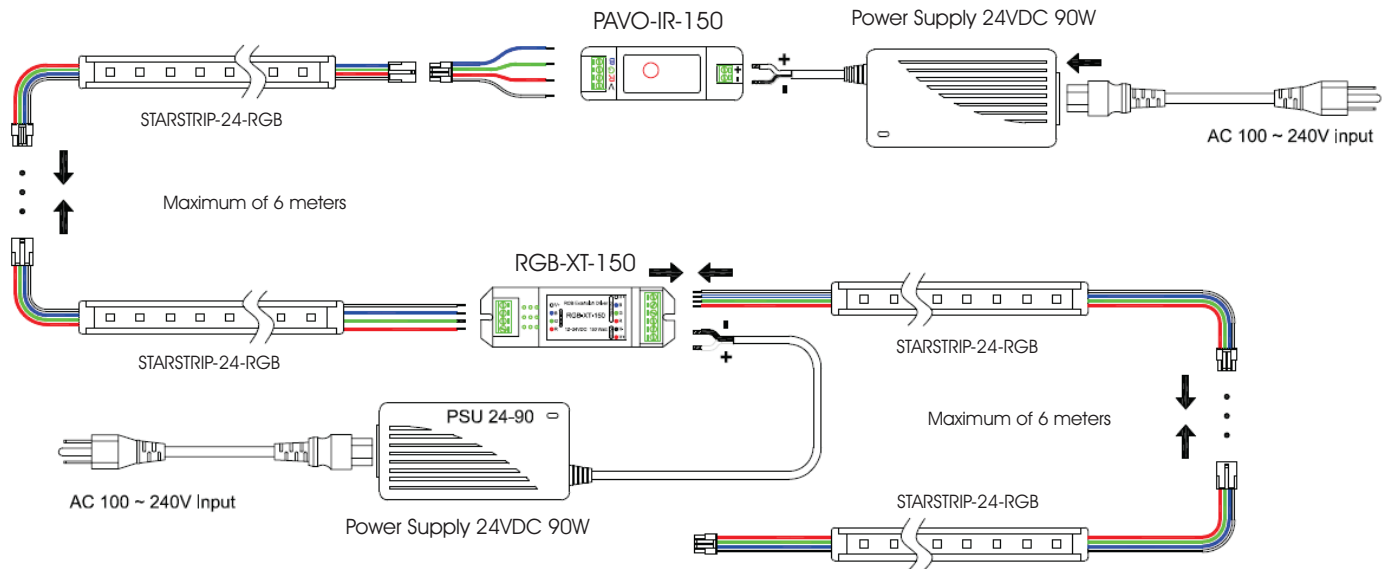
Dimensions



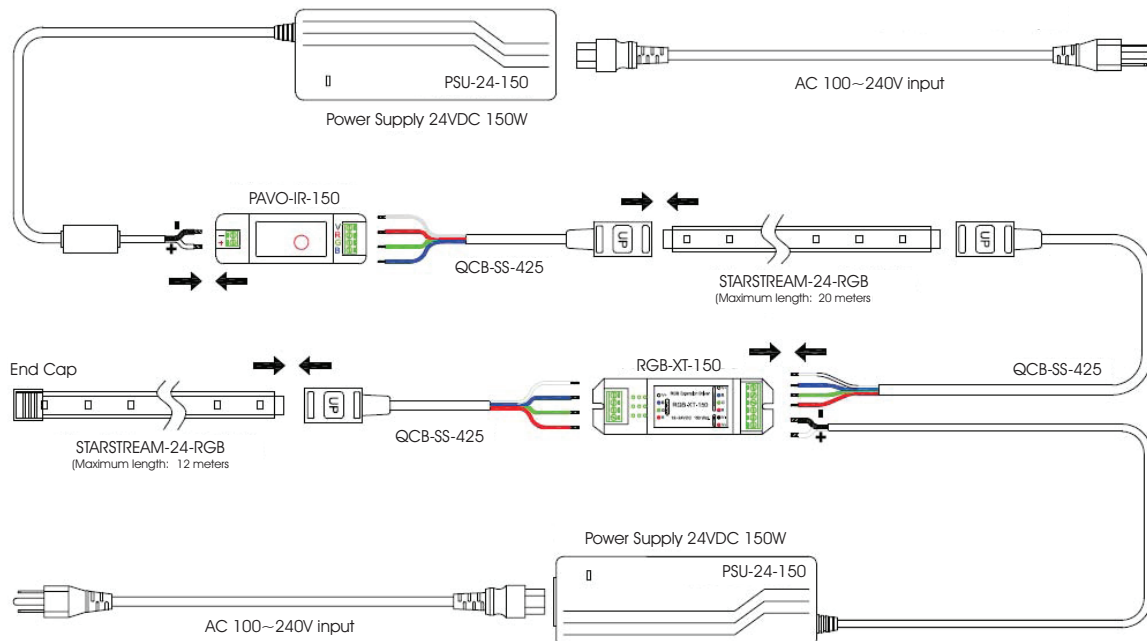
ColorFlex Coupler

RGB Extension Driver

Connecting diagram: RGB-XT-150 with PAVO-IR-150 Controller and STARSTRIP-24-RGB



Connecting diagram: RGB-XT-150 with PAVO-IR-150 Controller and STARSTREAM-24-RGB



ColorFlex Coupler

RGB Extension Driver

Connecting diagram: RGB-XT-150 with PAVO-DIAL-DMX (24V) Controller and STARSTRIP-24-RGB

