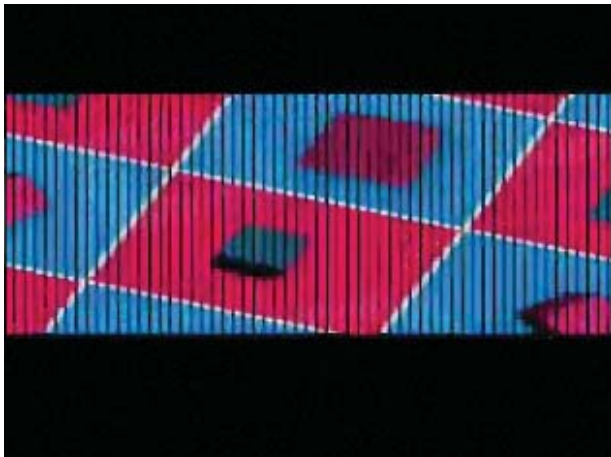
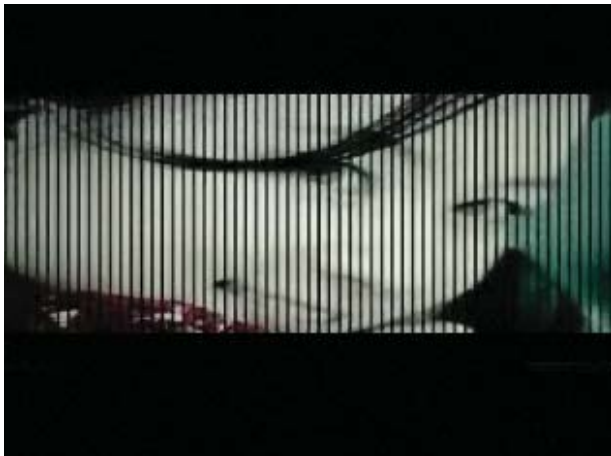
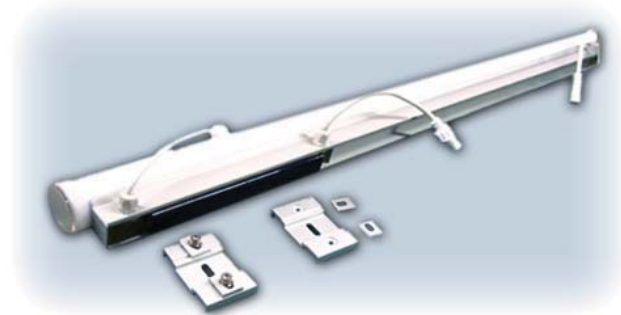


DIGITAL VIDEO TUBES



General Description:

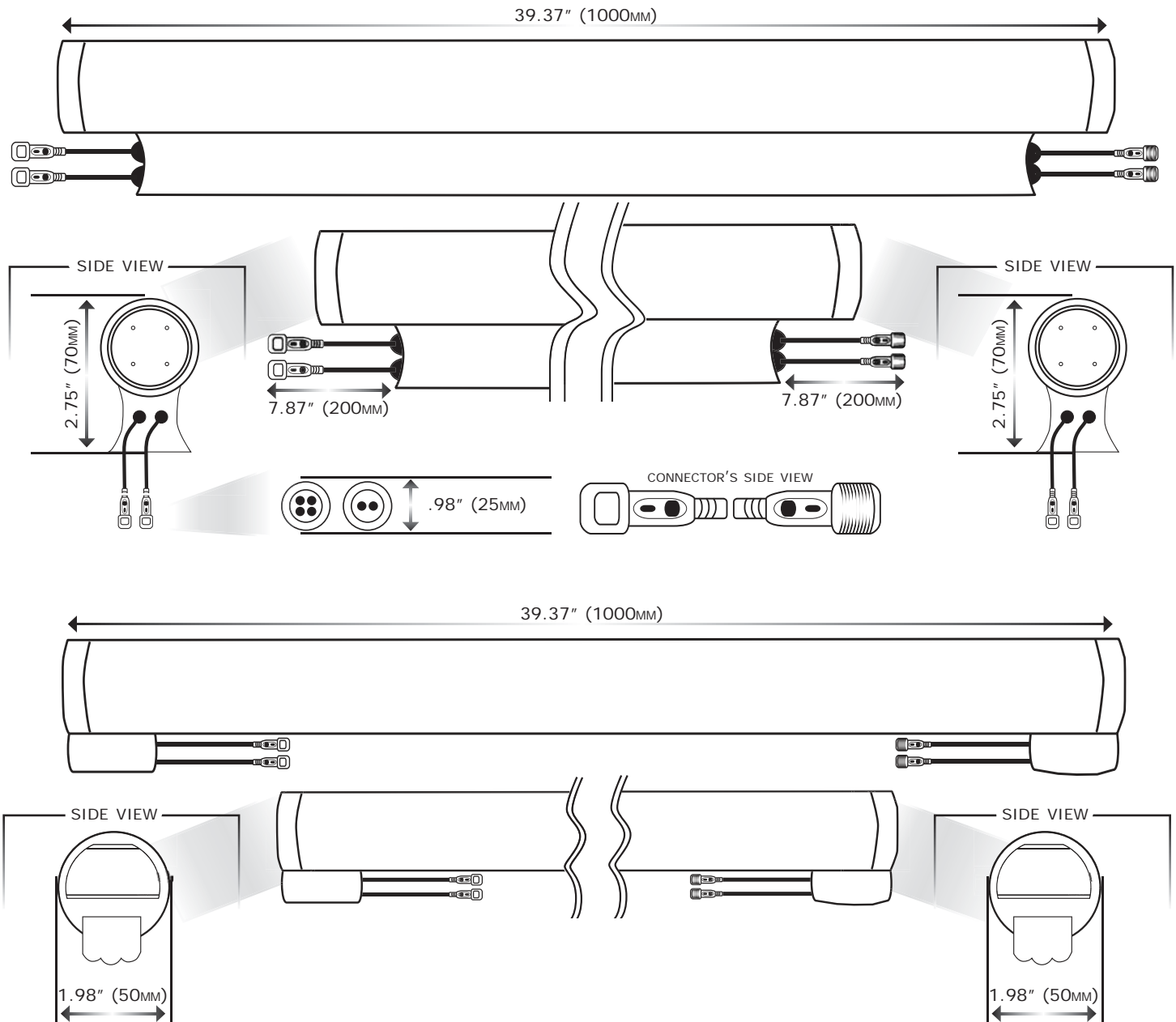
WDM Digital Video Tube introduces an eye-catching new element to the designer's toolbox. It's based on LED semi-conductive digital RGB techniques, supporting universal DMX512 standard protocol. Users can modulate millions of colors and realize multiple color changing effects. By using a video signal from our control systems, the WDM Digital Video Tube can deliver countless looks from multiple color changes to video displays. There's no limit to what can be displayed.

Specification:

| | |
|-------------------------------|--|
| Resolution: | 16 pixels per meter |
| Colors: | 16.77 millions |
| Output: | 900 nits (cd/m2) |
| Length: | 1.64 feet (0.5m), 3.28 feet (1m), 4.92 feet (1.5m), 6.56 feet (2m) |
| Width: | 1.98" (50mm) |
| Height: | 2.05" (52mm), 2.95" (75mm) |
| Lens: | Milky or clear |
| Power Input: | 90AC-250AC (for WDM Digital Video Tube- RGB-A), DC12V (for WDM Digital Video Tube- RGB-B) |
| Control: | LT-5100 or LT-5200 |
| IP: | 66 |
| Tenure: | Over 50,000 hrs |
| Weather rating: | Both Indoor and outdoor |
| Operation Temperature: | -35°C to 55°C |
| LED Quantity: | 144 pcs/meter |
| Quantity per carton: | 39' (12M)/carton (for WDM Digital Video Tube- RGB-A), 78' (24M)/carton (for WDM Digital Video Tube- RGB-B) |
| Weight: | 3.75LBS (1.7KG)/METER (FOR WDM DIGITAL VIDEO TUBE- RGB-A), 1.75LBS (0.8 KG)/METER (FOR WDM DIGITAL VIDEO TUBE- RGB-B) |

DIGITAL VIDEO TUBES

Dimension Diagrams:



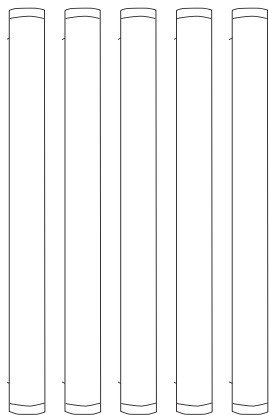
DIGITAL VIDEO TUBES

Part Number:

WDM Digital Video Tube-RGB-A has a built-in switching power supply and alu-base. Available in diffused or clear tube in 1.64 feet (0.5m) or 3.28 feet (1m) lengths.

WDM Digital Video Tube-RGB-B needs a standalone power supply to operate. Available in diffused or clear tube in 1.64 feet (0.5m), 3.28 feet (1m), 4.92 feet (1.5m) & 6.56 feet(2m) lengths.

How It Works:



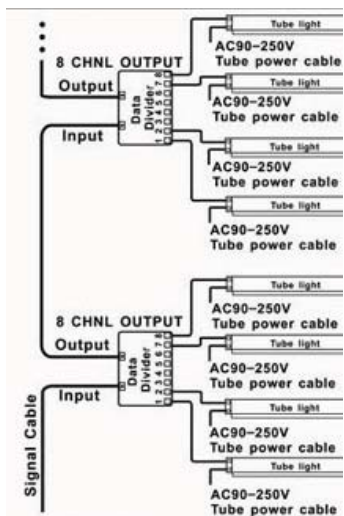
Each tube uses super flux LEDs to give a broad range of fascinating colors. The diffused (milky) tube gives a smooth light output and is durable, it's suitable for indoor applications. While the clear tube gives even more bright light, suitable for outdoor applications.

Place the tubes in any layout to run coordinated effects throughout. Just like a television screen whose image is created by thousands of individual pixels, each WDM Digital Video Tubes -RGB contains 16 pixels per Meter, each pixel is composed of 3 red, 3 green and 3 blue LEDs per meter. Think of each tube as a small slice of a TV display.

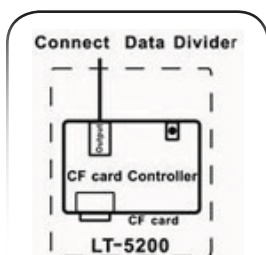
We offer to two (2) control system options to operate the digital tubes.

One uses a **PC Sync Controller (LT-5100)**, where one controller can connect up to 480 meters of tubes. LT-5100 uses an online real time PC Sync Controller. This method has no need for slave controllers or a display card. The tubes can be operated on both desktop or laptop PC. What you see on your computer desktop is displayed on the tubes.

Seconded uses a **CF Card Controller (LT-5200)**, it includes one master controller and some slave controllers. The one slave controller can connect to 128 meters of tubes. You can design an AVI effect file and convert it to a DAT file with provided software. Then copy the DAT file on to the CF card and install the CF card into the CF card controller. Finally, then you can display your expected effects on the tubes.



CONNECT TO CONTROL SYSTEM
(CF CARD CONTROLLER OR
PC SYNC CONTROLLER)



OR

