

12/24V LED Dimmer Remote Controllable



General Information

Our LED dimmer is an universal high-powered dimming controller; adopting advanced PWM (Pulse-Width Modulation) digital brightness-adjusting technology, ABS engineering plastic cover, soft-press function button, and controls 12/24VDC LED fixtures.

Features:

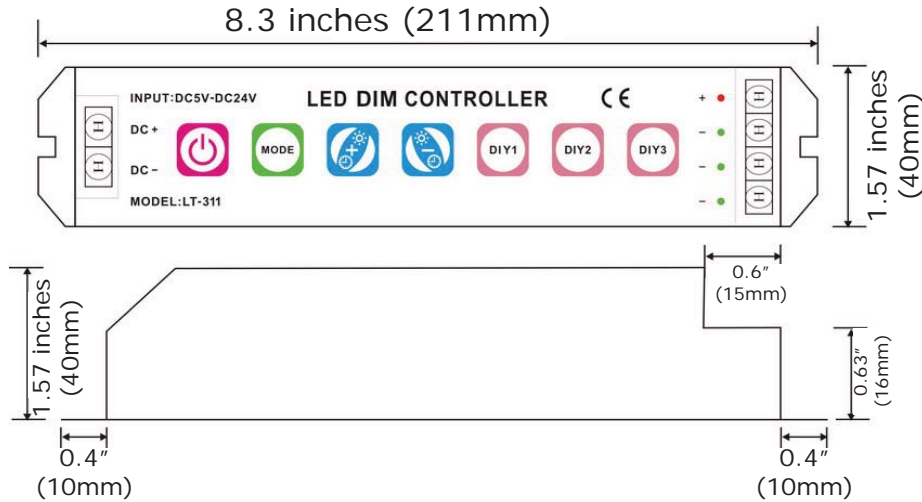
- Voltage range between 5-24VDC
- Manual Buttons for control
- RF Remote Control included
- 3 Channel Output Control, maximum output 18A
- Strobe/Fade Feature
- Adjust brightness from 0%, 25%, 50%, 75%, 100%
- ON/OFF button functions
- Three (3) color changing modes for choice: Color Strobe, Color Skipping, and Gradual

Specifications

- Input Voltage DC5V to DC24V
- Output Current 6A x 3 Channels
- Output Voltage 90W (5V) 220W (12V) 450W (24V)
- Size: 8.4" x 1.7" x 1.2" Weight: .39 lbs
- 8 levels of speed
- 8 levels of color changing modes
- Color depth: 256 levels from R, G, & B
- Working Temperatures: -35°C to 55°C

12/24V LED Dimmer Remote Controllable

Size



Changing Mode Table

Sequence	Modes	Description
1	Static brightness 1	0% brightness, support BRT adjustment
2	Static brightness 2	25% brightness, support BRT adjustment
3	Static brightness 3	50% brightness, support BRT adjustment
4	Static brightness 4	75% brightness, support BRT adjustment
5	Static brightness 5	100% brightness, support BRT adjustment
6	Color strobe	8 levels speed adjustment,
7	3 CH color skipping	8 levels speed adjustment,
8	Gradual dark and gradual bright	8 levels speed adjustment,

12/24V LED Dimmer Remote Controllable

Button Overview



Button Functions Overview

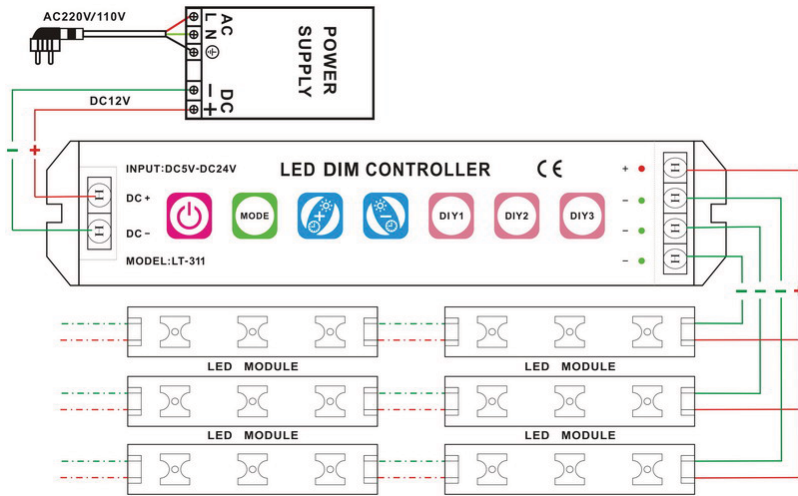
The controller has
7 function keys:

Sign	Button	Description
	ON/OFF	on/off key: start or turn off the controller At the Off status, press any key to start the controller
	MODE	Mode key: press it to enter into next mode
	BRT/ SPEED+	BRT/ SPEED+: press it at the BRT status to increase the brightness, press it at the Speed status to increase the speed
	BRT/ SPEED-	BRT/ SPEED-: press it at the BRT status to decrease the brightness, press it at the Speed status to decrease the speed
	DIY1	DIY1: Press it for 3 seconds, LED flashes twice, and then remember the current brightness or color changing effect and speed, just press it once then enter into pre-setup status
	DIY2	DIY 2: The same as above
	DIY3	DIY 3: The same as above

12/24V LED Dimmer Remote Controllable

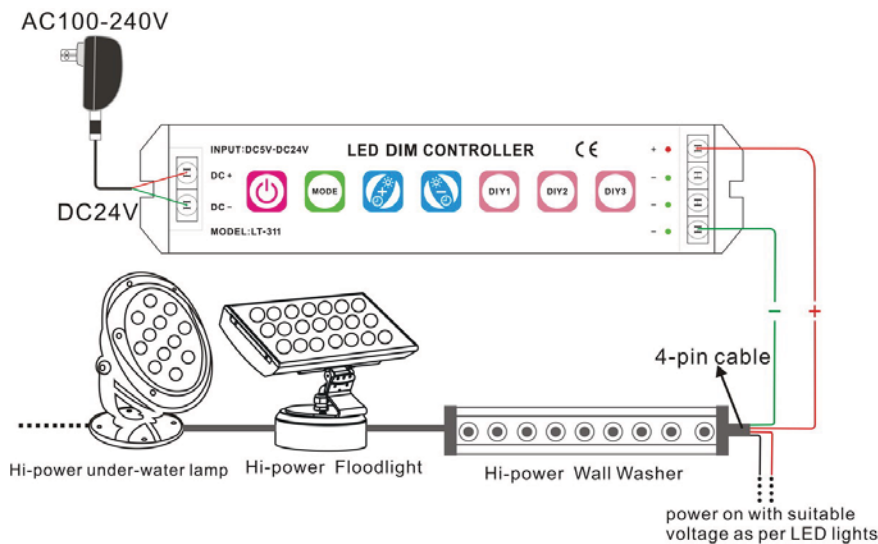
Connection Scheme

1. Take single color LED Module as an example as follows



2. Collect to single color high power LED lamps, the controller provides controlling signals only; the lights need extra power based on the specific working voltage of the lights. Each controller theoretically can control unlimited quantity of the lamps.

(The high power lights must have built-in constant PWM current driving circuit)



12/24V LED Dimmer Remote Controllable

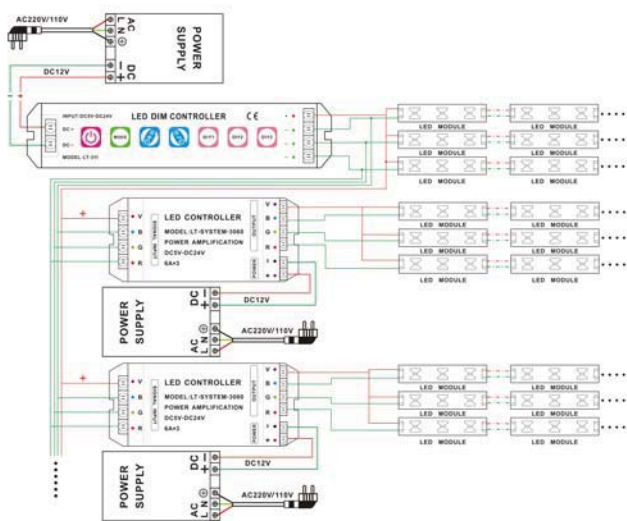
Connection Scheme

If one controller is not enough, you can add a 3060 power amplifier to amplify the output.



Bellow are three common methods of connecting. And the three methods can be mixed up. If you don't need the color skipping function, there only need one in-phase anode wire and one in-phase cathode wire between the controller and the amplifier.

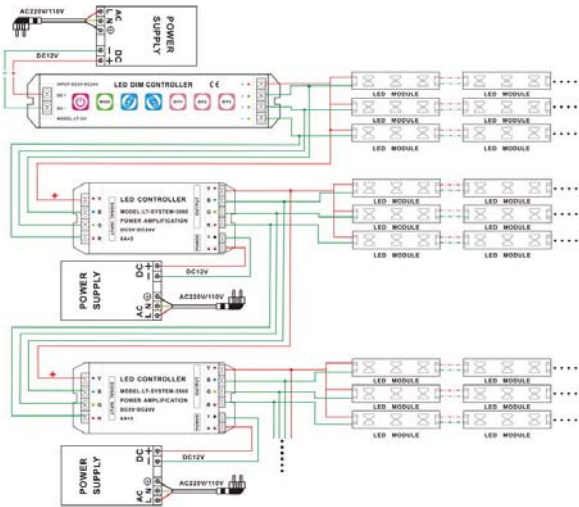
- 1、 Method One: All amplifiers connected to the main power



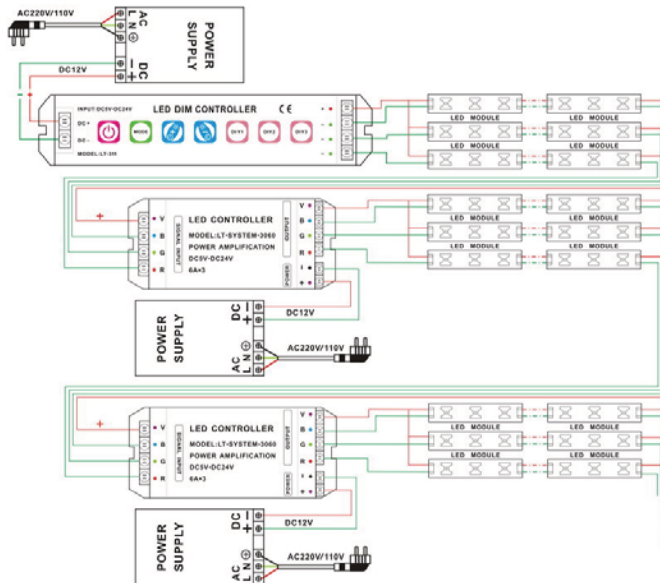
12/24V LED Dimmer Remote Controllable

Connection Scheme

- 2. Method Two: Connect the controller and the amplifier by a method of "hand in hand".



- 3. Method Three: The LED modules are followed by amplifiers in series.



12/24V LED Dimmer Remote Controllable

Trouble Shooting

Malfunction	Causation	Settle
No Light	1、 No power from plug 2、 Power supply protector works 3、 Incorrect connection	1、 Check the socket 2、 Check the malfunction, re-power on 3、 Check connection
Incorrect color Amplifier not in phase	4、 Incorrect RGB output wire connection	4、 Re-connect RGB wires correspondently
LED BRT is not smooth or even	5、 Output wire too long 6、 Wire diameter too thin 7、 Overload beyond controller capability	8、 reduce wire length or use loop circuit to power on 9、 Calculate the current and change to a thicker wire 7,Change the power supplier or add a power amplifier