



**RGB DMX
LAMPS**



**PAVO 64 DMX
CONTROLLER**



USER MANUALS

RGB DMX LAMPS



General Description:

TRGB-DMX lamps are individually addressable with separate IDs, thus providing a wide-range of color-changing effects when controlled by a DMX Controller.

Key Features:

Assign an individual ID address to each lamp

10 built-in color-changing patterns to PAVO™-64-DMX Controller

Control up to 64 RGB-DMX lamps with the PAVO™-64-DMX Controller and the TRISTAR® IR-1627 Remote Controller

Connect more lamps with the PAVO™ Repeater

Min. 70% lumen maintenance after 35,000 hours

Low power consumption

DMX compatible when the PAVO™-64-DMX Controller is connected to a standard DMX controller

Lamps are easily connected together using the QCB-4-30 - Quick Connection 4-pin Cable Bus

PAVO 64 DMX CONTROLLER



PAVO Repeater

General Description:

The PAVO 64 DMX Controller is a small wall mounted product designed to control several TRISTAR RGB Lamps for various color-changing programs.

Key Features:

- :: 1.07 billion (30 bit) RGB color mixing.
- :: Individual ID addresses assigned to each TRISTAR-RGB-DMX lamp.
- :: 10 (ten) built-in color-changing programs.
- :: Controls up to 64 (sixty-four) TRISTAR-RGB-DMX lamps.
- :: DMX compatible, with auto-detection, when the PAVO-64-DMX Controller is connected to a standard DMX controller.
- :: Capable of connecting 32 (thirty-two) additional TRISTAR-RGB-DMX lamps with a PAVO Repeater. Multiple PAVO Repeaters can be used to add more lamps.

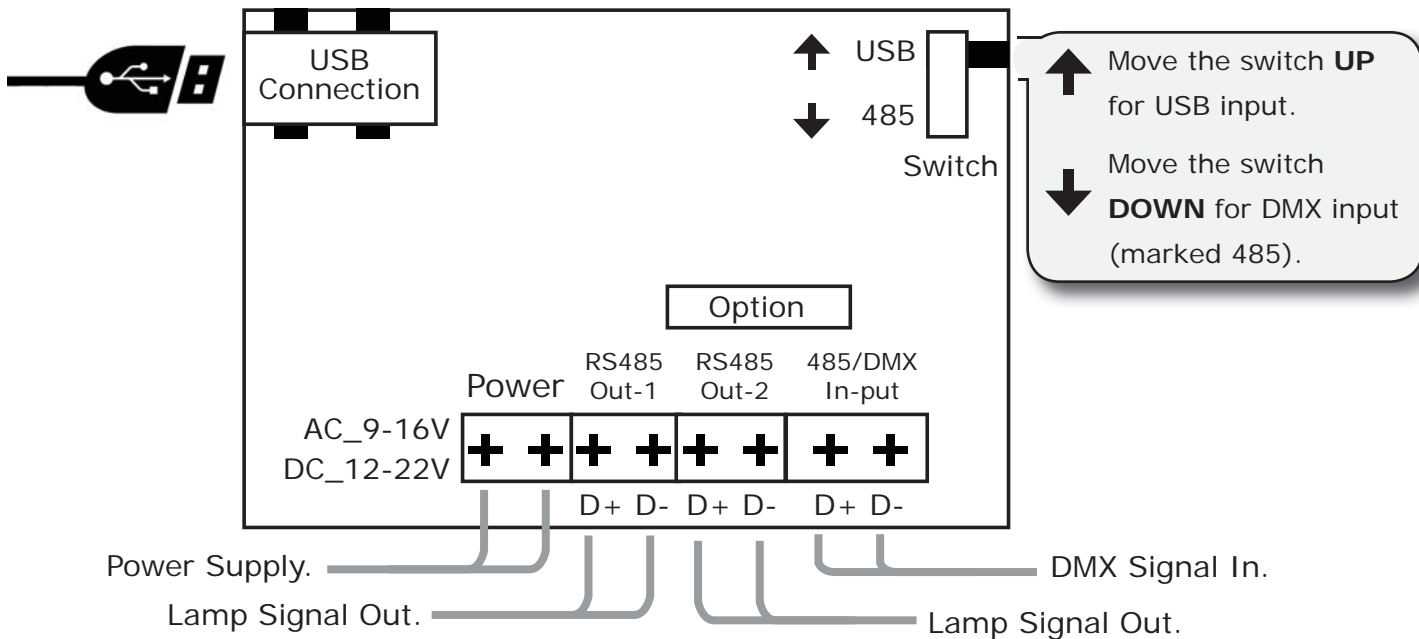
Specification:

Power Supply:	9 ~ 16VAC
Voltage:	12 ~ 22VDC
Current:	<500mA
Communication Interfaces:	DMX and USB
Fan-Out Drive:	64 devices max.
Display:	8 x 2 Text Mode LCD
Input Interface:	6 Function Keys / IR receiver
Built-in Programs:	10
Operation Temperature:	0~50°C
Storage Temperature:	-20~60°C
Humidity:	10~90%
Dimensions:	5"x3"x1.65" 127 x 76 x 42mm
Weight:	10.50 ounces or 0.3kg

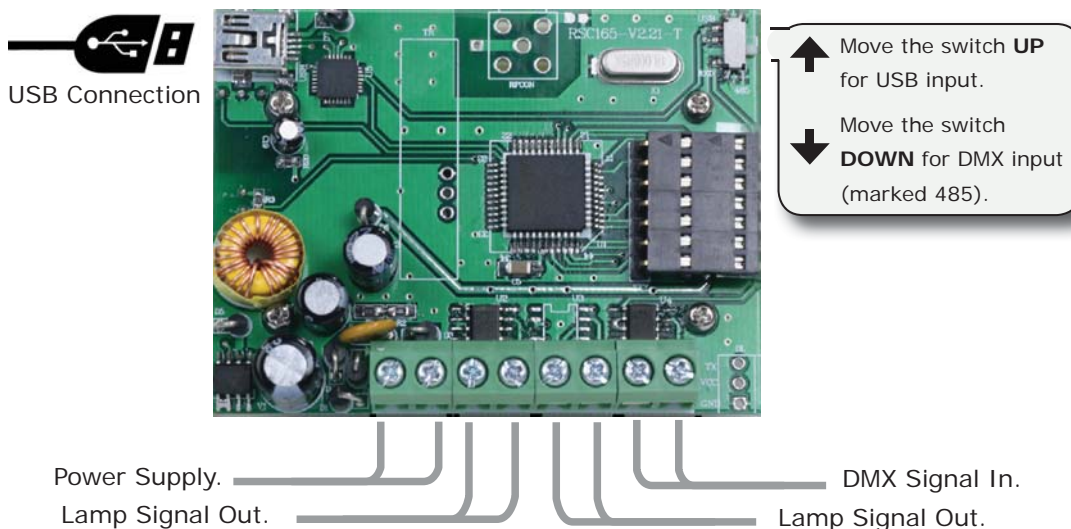
PAVO 64 DMX CONTROLLER

Input And Output Connections Diagrams:

Example 01



Example 02



PAVO 64 DMX CONTROLLER

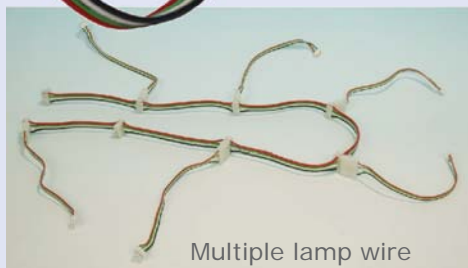
Connecting and Setting The ID Address Of A TRISTAR®-SMART or TRISTAR® Slave Lamp:

TRISTAR-RGB-DMX LAMPS Connection Diagram: FIG. 1



FIG. 2

OCB-4-30 Examples:



Wiring Key:

- Red Wire** - Power Supply
- Green Wire** - Data signal (+)
- White Wire** - Data signal (-)
- Black Wire** - Power Supply

Note: With a standard DMX controller, the ground (GND) wire is not used with the TRISTAR-RGB-DMX system.

1. Connect the OCB-4-30 (the quick connection 4-pin cable bus) to the PAVO-64-DMX Controller. (See Fig. 1 Illustration.)
2. Power up the PAVO-64 DMX Controller.
3. Connect 1 (one) lamp at a time to the OCB-4-30; Follow the instructions steps #4 through #8. (See Fig. 2 Illustration.)
4. Point the TRISTAR IR-1627 remote toward the PAVO-64-DMX Controller. (See Fig. 3 Illustration.)
5. Push the Setup button at the bottom of the remote for lamp ID address.
6. The PAVO-64-DMX will display "Set 485id".
7. Push the up or down buttons to an ID address.
8. Push Enter. The ID address for that lamp is set.
9. Disconnect the lamp and mark it with it's ID address.
10. Connect the second lamp and repeat steps #4 through #8 above. Repeat for each lamp.

FIG. 3
TRISTAR IR-1627
Remote

